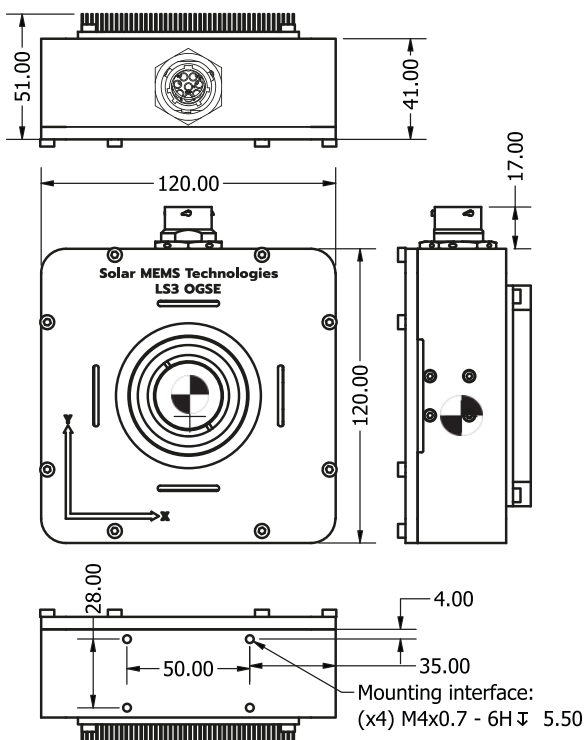




Optical Head



Description

Light Stimulator for Sun Sensors is an Optical Ground Support Equipment (OGSE) based on a controlled and stable light source to stimulate optical sensors, designed to work under TVAC.

LS3 operates without touching the sensor or the platform where the device to be stimulated is placed. It includes a 19" controller and up to 3 optical heads per unit, with an interface for PC to program the testing operations.

Features

Manual mode or PC connection through an user-friendly interface.

Compatible with any sun sensor, solar panel or any other optical sensitive device.

Temperature and light control for stable illumination.

Intensity control modes and enable/disable shutter.

Independent operation of 1, 2 or 3 optical heads on each controller.

Customizable optical beam.

Customizable bracket for optical head.

Customizable for more than 3 optical heads.

Technical Characteristics

Type	OGSE for TVAC
Beam size	25 mm diameter, 18 focal length
Beam homogeneity	> 90%
Light collimation	< 10°
Lightspectrum	450-1100 nm
Optical head temperature range	-50° to 100° C (no vacuum) -40° to 80° C (vacuum)
Power supply	220VAC (50 Hz) 75W max
PC interface	USB
Communication	Modbus RTU over RS232
Optical head mounting	M6 for rod and/or tripod Customization available